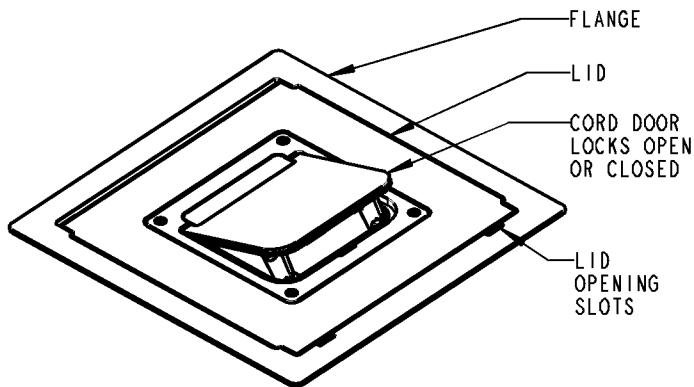
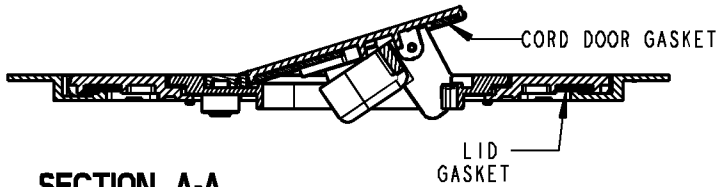
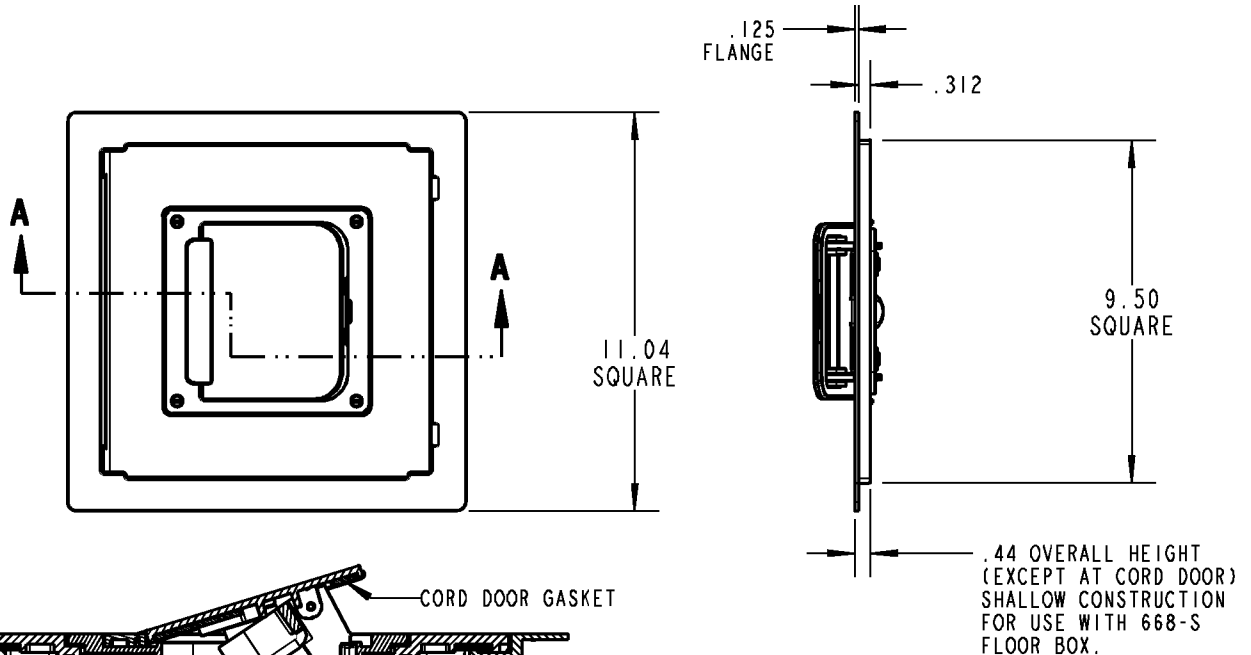


Steel City



FEATURES:

1. ALL METAL CONSTRUCTION. DIE CAST FROM A HIGH STRENGTH ZINC ALLOY.
2. LID SNAPS CLOSED. CORD DOOR LOCKS IN OPEN OR CLOSED POSITION.
3. MOUNTING SCREWS (NOT SHOWN) ARE FURNISHED WITH 668-CST-XXX.
4. DESIGNED FOR USE WITH THE 668-S SHALLOW CONCEALED SERVICE FLOOR BOX. CAN BE INSTALLED FLUSH TO FLOOR WHEN USED WITH 668-TRIM-XXX.
5. CAN USED AS AN ALTERNATIVE COVER FOR THE 667-SC CONCEALED SERVICE FLOOR BOX.
6. CAN BE USED AS A REPLACEMENT COVER FOR THE AFM-8 ACCESS FLOOR MODULE.
7. MOPTIGHT. FACTORY INSTALLED GASKETS. EXCEEDS UL SCRUBWATER REQUIREMENTS FOR TILE, CARPET AND WOOD FLOORS.
8. AVAILABLE IN FOUR DURABLE COATED POWDER COATED FINISHES:
 - XXX DENOTES COLOR
 - BLK = BLACK COLOR
 - BRN = BROWN COLOR
 - BGE = BEIGE COLOR
 - BRS = BRASS COLOR
 - ALM = ALUMINUM COLOR



RELATED SALES DRAWINGS:

668-S FLOOR BOX : WSD-000083

668-TRIM-XXX FLUSH TRIM RING: WSD-000087

FLUSH TRIM RING IS OPTIONAL
IT CAN ONLY BE USED WITH THE 668-S FLOOR BOX
AND 668-CST-XXX COVER

REFERENCE INSTRUCTION SHEET:

668-CST-XXX CONCEALED SERVICE TOP: TA02959

GENERAL NOTES		Thomas & Betts			
1. ALL DIMENSIONS ARE FOR REFERENCE ONLY. 2. DIMENSIONS IN BRACKETS [] ARE IN METRIC UNITS.					
REVISIONS		DESCRIPTION: 668-CST-XXX CONCEALED SERVICE TOP			
2	SEE ERN (2005295) FOR APPROVAL SIGNATURES & RELEASE DATE. PROJECT NO: UD55551	ORIGINAL PROJECT NO / (ERN NO)	SHEET NO:	REV. NO:	DRAWING NO:
		UD55551 / (2005082)	1 OF 1	2	WSD-000086